



## ***PRESS RELEASE***

# **NCG CAM v12 is Officially Released Download a Demonstration Version Now**

NCG CAM Solutions Ltd, UK officially released NCG CAM v12 on 31<sup>st</sup> January 2013. This major release includes a number of new features including the ability to machine selected surfaces, the ability to generate ruled surfaces, thread milling, a tool size guide, core horizontal area passes, multi-axis stock models and a VERICUT™ tool list creator, as well as many enhancements.

**A demonstration version of NCG CAM v12 is now available to download:**

**<http://www.ncgcam.com/demorequest.html>**

In **NCG CAM** v12, the ability to ***machine selected surfaces*** has been added. This allows the user to select the individual surfaces to machine and then choose the machine selected surface; this will machine to the surfaces very edges, without the need to create a boundary first.

A new feature has been added which allows the user to generate a ***ruled surface*** from a set of curves, complementing the existing planar patch feature. In combination with the extract converted curves functionality in v11, the user can, for example, extend part surfaces so that machining carries on beyond their edges.

Users are now able to create a ***thread milling cycle***. The canned cycles menu and dialog has been changed slightly.

A ***tool size guide*** has been added, allowing the user to define a circle or disc that represents the cutter diameter and which can be moved over the part with the cursor. The user is therefore now able to determine accessibility for a given cutter, without having to create the passes or do a lot of measuring.

Users can now machine horizontal areas by plunging off the job and then milling in from the side, using the new ***core horizontal area passes***. In certain materials, such as Inconel™ (a nickel-chromium-based superalloy) and many other steels after heat treatment, machining in from the side will give far better tool life.

**Stock models can now be created from multiple axis toolpaths**, which will enable the user to visualise the stock resulting from a combination of 3, 3+2 and / or 5-axis toolpaths. The same stock model could also be used as a basis for rest roughing after a number of machining operations with different tool axes, or against which other toolpaths can be edited.

A **VERICUT™ tool list creator** has been added to the **NCG CAM** post-processors, enabling VERICUT™ users to check NC tape files for collisions between machine parts and work piece when the tool axis is tilted.

Setting the 'Vericut data' option in the post processor options that will create a tool list (\*.tls) for the post processed operations. Once VERICUT™ is started that file can be loaded, defining the cutter and tool holder based on their **NCG CAM** definitions.

## **About NCG CAM Standalone 3D HSM CAM Software**

**NCG CAM** HSM CAM software is an easy to use stand-alone CAM system that integrates with existing CAD and CAM systems.

**NCG CAM** boasts many innovative features. It is suitable for all types of forms, creating an optimised, smooth cutter motion ideal for 3D HSM machining, which will help to extend tool life, minimise wear on the machine tool and producing parts with an excellent surface finish.

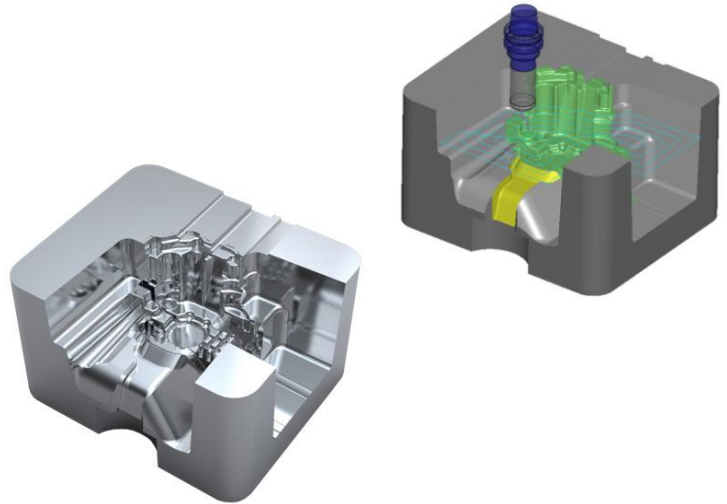
**NCG CAM** has a very user-friendly interface, with a typical learning curve of just 1 day is required to machine a live job. It is perfect for the high-speed machining of moulds, dies, prototypes and precision surface machining.

### **Features:**

- Very user friendly interface – making it suitable for even occasional users
- **NCG CAM** offers many advanced 3D machining routines, rest roughing & 3 + 2 capabilities for all toolpaths, a simultaneous 5-axis add-on module is available
- Fast and efficient roughing strategies, including core roughing and adaptive clearance
- Comprehensive drilling routines – includes automatic hole detection and / or user defined holes
- All machining routines are fully gouge protected for both the cutter and the tool holder
- Rest area option for finishing strategies to minimise any air cutting
- Available as both 32-bit & 64-bit versions (both are multi-threaded)

## Key Benefits:

- Stand-alone CAM software that is compatible with **ANY** other CAD package
- Extremely easy to use with just 1 day's training required to machine a live job
- Ideal for shop-floor programming
- Gouge protection for cutters and holders
- All post-processors are written in-house
- Powerful 3D machining
- Toolpaths optimised for HSM machining
  - Increased efficiency
  - Reduced wear on machine
  - Extended tooling life
- Saves time and money!



A demonstration version of the **NCG CAM** software, is available to download -

<http://www.ncgcam.com/demorequest.html> . The demonstration version of **NCG CAM** has unlimited usage and while there are restrictions to the machining output, it can also be used in its basic form as a **FREE** .iges viewer.

## About NCG CAM Solutions Ltd

Established in Cambridge, UK, **NCG CAM Solutions Ltd** provides CAM software solutions, offering all the tools needed to manufacture prototypes, models, moulds, dies, patterns and finished products. Our specialist area is 3D HSM CAM with our product **NCG CAM**.

All our staff have a wealth of CAM experience, having worked in the CAD/CAM and engineering industry for many years. In particular, every member of our support team has worked on the shop-floor using CAM software on live jobs, enabling us to provide an excellent back up and support service for the software.

Established in June 2009, NCG CAM Solutions Ltd has a rapidly growing global reseller base, with resellers for NCG CAM in UK, Germany, Spain, Benelux, Slovenia, Slovakia, Hungary, Czech Republic, Romania, Bulgaria, Serbia, Croatia, Poland, Norway, Turkey, Egypt, Middle East, India, Ukraine, Russia, China, Taiwan, Japan, South Korea, Thailand, Australia, Mexico, Brazil, Chile, Argentina, Colombia, South Africa, Canada and across USA.

To contact a reseller or to download the demonstration version of **NCG CAM**, visit [www.ncgcam.com](http://www.ncgcam.com) .

Alternatively contact Estelle Dunsmuir for more information – [estelle@ncgcam.com](mailto:estelle@ncgcam.com) or call +44 (0)1223 863911 / +44 (0)1353 699840.

(ENDS)

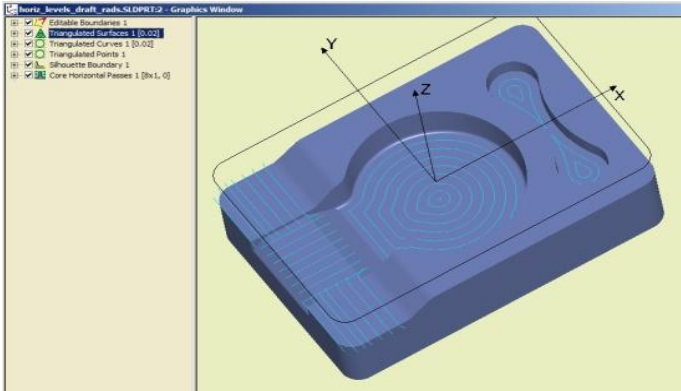
## Pictures – NCG CAM V12

NCG CAM Solutions Ltd, Silverwood  
Lodge, Ely Road, Waterbeach,  
Cambridge, CB25 9NN, UK

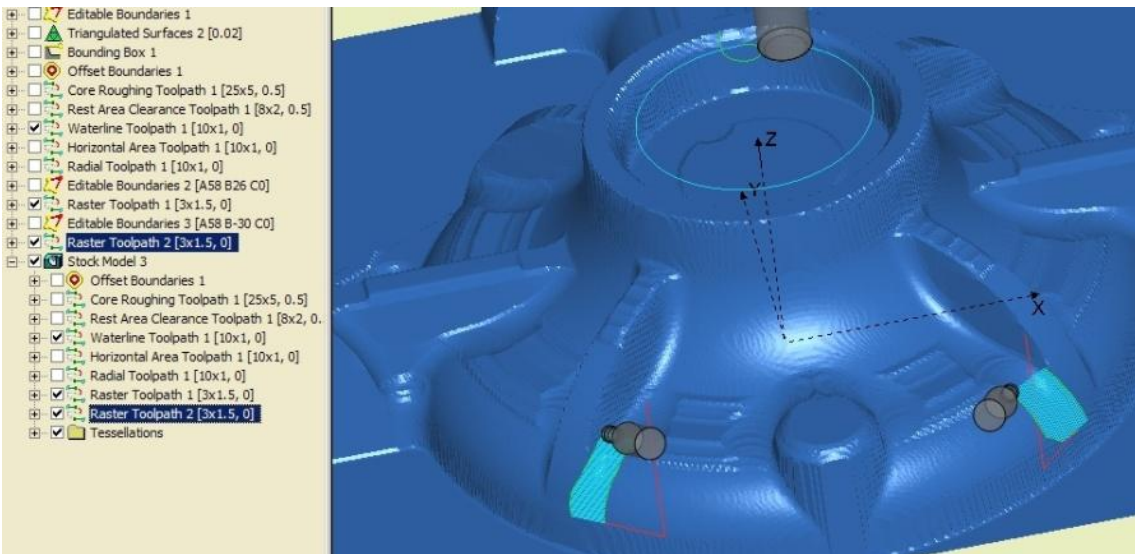
Tel: +44 (0) 1223 863911 / +44 (0)1353  
699840

Website: [www.ncgcam.com](http://www.ncgcam.com) / Email:  
[estelle@ncgcam.com](mailto:estelle@ncgcam.com)

**Contact: Mrs Estelle Dunsmuir,  
Distribution & Marketing Manager**



*Above – Core horizontal area passes*



*Above – Stock models created from multiple axis toolpaths*