

## New CAM Vendor - NCG CAM Solutions Ltd

Dr Arthur Flutter and Mr Dieter Trinkner, for many years partners in NC Graphics (Germany) selling DEPOCAM CAM software, incorporated NCG CAM Solutions Ltd in Cambridge, England, UK on 1<sup>st</sup> June 2009. This new company has purchased a source-code licence of DEPOCAM with full global exploitation rights from Parametric Technology Corporation (PTC).

NCG CAM Solutions Ltd, with the benefit of several key employees formerly of NC Graphics (Cambridge) Ltd, along with technical co-operation from DEPO GmbH, will now further enhance the products capabilities for toolmaking, High Speed Machining (HSM) and 5-axis machining.

### Product Branding

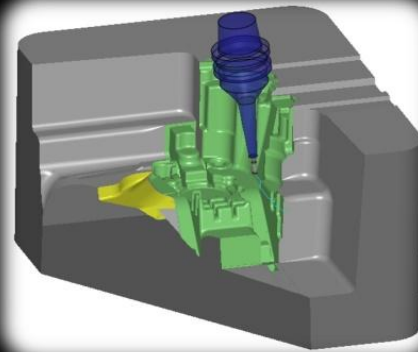
NC Graphics (Germany) has been selling the **DEPOCAM** product for 15 years through their agent DEPO GmbH in a number of countries and have an established user base of over 1000 active end-users.

Although developed as one product, the product will now be sold under two names – **NCG CAM** through the NCG CAM Solutions Ltd reseller network and will keep the name **DEPOCAM** if sold through traditional markets by DEPO resellers.



### On-going Software Development

The first release of the software includes a simultaneous 5-axis add-on module, with 5-axis machine simulation to be added in the next software release, planned for later this year. The product still gives seamless integration with Pro/ENGINEER files (utilising Granite) and also SolidWorks files.



### Other Services

Other services provided by the company are software support and writing post-processors for any CAM software using G-post.

### Global Customer Support

John Ellis, Customer Support Manager commented: *"We are very excited about this opportunity and look forward to offering customers an excellent product, complete with a first class, global technical support service, as we have been renown for **throughout DEPOCAM's history.**"*



### Sales & Distribution

Estelle Dunsmuir, Distribution & Marketing Manager, observed: *"The technical capability of **this software has been evident for many years, but now the launch of NCG CAM gives us the freedom to exploit a larger market sector through both established and new resellers. I look forward to talking with our trading partners over the coming weeks and, further to this launch, will readily respond to any queries at [estelle@ncgcam.com](mailto:estelle@ncgcam.com)"***

## About NCG CAM Standalone 3D HSM CAM Software

**NCG CAM** HSM CAM software is a stand-alone CAM system that integrates with existing CAD and CAM systems, including Pro/ENGINEER and SolidWorks.

**NCG CAM** boasts many innovative features. It is suitable for all types of forms, creating an optimised, smooth cutter motion for HSM machining, while helping to extend tool life, minimising wear on the machine tool and producing parts with excellent surface finish.



**NCG CAM** has a very user-friendly interface, with a typical learning curve of just 1 day required to machine a live job. It is perfect for the high-speed machining of moulds, dies, prototypes and precision surface machining.

### SOFTWARE FEATURES:

- ✓ Very user friendly interface – making it suitable for even occasional users
- ✓ **NCG CAM** offers many advanced 3D machining routines, rest roughing & 3 + 2 capabilities for all toolpaths, simultaneous 5-axis add-on module available
- ✓ Fast and efficient roughing strategies, including core roughing
- ✓ Advanced drilling routines – includes automatic hole detection and / or user defined holes
- ✓ All machining routines are fully gouge protected for both the cutter and the tool holder

### KEY BENEFITS:

- ✓ Stand alone CAM software that is compatible with **ANY** other CAD package
- ✓ Extremely easy to use with just 1 day training required to machine a live job Ideal for shop-floor programming
- ✓ All post-processors are written in-house
- ✓ Powerful 3D machining
- ✓ Toolpaths are optimised for HSM machining
  - Increased efficiency
  - Reduced wear on machine
  - Extended tooling life

**Saves time and money !!**

## About NCG CAM Solutions Ltd

Established in Cambridge, UK, **NCG CAM Solutions Ltd** provides CAM software solutions, offering all the tools needed to manufacture prototypes, models, moulds, dies, patterns and finished products. Our specialist area is 3D HSM CAM with our product **NCG CAM**.

All of our staff have a wealth of CAM experience, having worked in the CAD/CAM and engineering industry for many, many years. This includes our support team, who have actually worked on the shop-floor using CAM software on live jobs, so are able to provide an excellent back up and support service for the software.



For more product information, or to download a demonstration version of **NCG CAM** visit the company's website [www.ncgcam.com](http://www.ncgcam.com) or call +44 (0)1223 863911 / +44 (0)1353 699840.