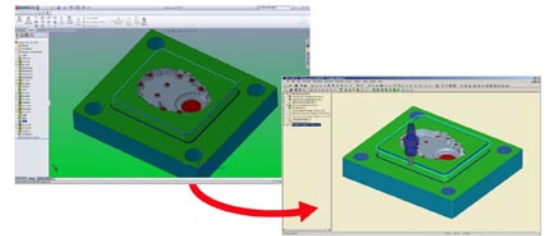


PRESS RELEASE

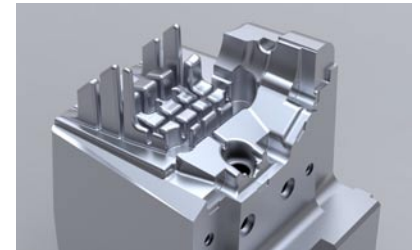
NCG CAM Achieves SolidWorks Certified CAM Partner Status

Cambridge, UK Feb. 18th 2010 — NCG CAM Solutions Ltd today announced that NCG CAM has achieved SolidWorks Certified CAM Partner status to support SolidWorks[®] 2010 3D CAD software.

SolidWorks 2010 is focused on optimising core design functions so users can more quickly and intelligently achieve their goals. It also includes hundreds of new enhancements specifically requested by customers.



The new version of SolidWorks improves designers' and engineers' productivity with new capabilities like rapid dimensions, enhanced mirrored components, and heads-up mouse gesturing. These capabilities let designers and engineers work smarter and faster while minimising menu navigation.



About NCG CAM Standalone 3D HSM CAM Software

NCG CAM HSM CAM software is an easy to use stand-alone CAM system that integrates with existing CAD and CAM systems, including SolidWorks. A SolidWorks Certified CAM Partner Product, **NCG CAM** allows users to open SolidWorks parts directly. **NCG CAM** detects when a SolidWorks file has been changed and the user can then update the toolpaths that have been generated in **NCG CAM**.

*“Engineers don’t have time to worry about software complexity or the problem of integrating data between separate applications,” said Nick Iwaskow, SolidWorks Manager, Alliances. “Combining **NCG CAM**’s CAM capability with SolidWorks 2010 3D CAD enables engineers to focus on innovation, quality, and productivity instead of how to use the software.”*

NCG CAM boasts many innovative features. It is suitable for all types of forms, creating an optimised, smooth cutter motion for 3D HSM machining, while helping to extend tool life, minimising wear on the machine tool and producing parts with excellent surface finish.

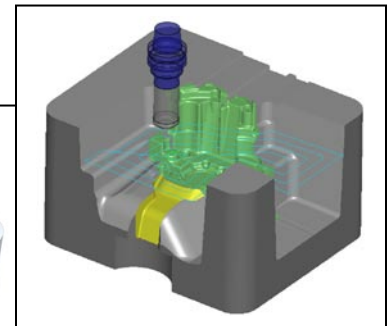
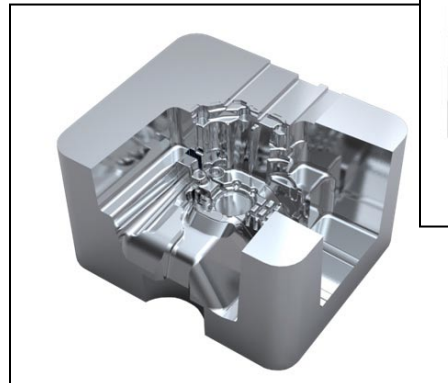
NCG CAM has a very user-friendly interface, with a typical learning curve of just 1 day required to machine a live job. It is perfect for the high-speed machining of moulds, dies, prototypes and precision surface machining.

Features

- Very user friendly interface – making it suitable for even occasional users
- **NCG CAM** offers many advanced 3D machining routines, rest roughing & 3 + 2 capabilities for all toolpaths, simultaneous 5-axis add-on module available
- Fast and efficient roughing strategies, including core roughing
- Advanced drilling routines – includes automatic hole detection and / or user defined holes
- All machining routines are fully gouge protected for both the cutter and the tool holder
- Rest area option for finishing strategies to minimise any air cutting

Key Benefits:

- Stand alone CAM software that is compatible with **ANY** other CAD package
- Extremely easy to use with just 1 day training required to machine a live job
- Ideal for shop-floor programming
- All post-processors are written in-house
- Powerful 3D machining
- Toolpaths optimised for HSM machining
 - Increased efficiency
 - Reduced wear on machine
 - Extended tooling life
- Saves time and money !!



A demonstration version of NCG CAM software, is available to download -

<http://www.ncgcam.com/demorequest.html> . The demonstration version of **NCG CAM** has unlimited usage and while there are restrictions to the machining output, it can also be used in its basic form as a **FREE** .iges viewer.

About NCG CAM Solutions Ltd

Established in Cambridge, UK, **NCG CAM Solutions Ltd** provides CAM software solutions, offering all the tools needed to manufacture prototypes, models, moulds, dies, patterns and finished products. Our specialist area is 3D HSM CAM with our product **NCG CAM**.

All of our staff have a wealth of CAM experience, having worked in the CAD/CAM and engineering industry for many, many years. This includes our support team who have actually worked on the shop-floor using CAM software on live jobs, so are able to provide an excellent back up and support service for the software.

Since establishing in June 2009, NCG CAM Solutions Ltd have a rapidly growing global reseller base, with resellers for NCG CAM in UK, Germany, Italy, Benelux, Slovenia, Slovakia, Hungary, Czech Republic, Romania, Bulgaria, Serbia, Croatia, Turkey, Greece, Middle East, India, Russia, China, Japan, Korea, Australia, Mexico and across USA.

To contact a reseller or to download the demonstration version of **NCG CAM**, visit www.ncgcam.com .
Alternatively contact Estelle Dunsmuir for more information – estelle@ncgcam.com or call +44 (0)1223 863911 / +44 (0)1353 699840.

About Dassault Systèmes SolidWorks Corp.

[Dassault Systèmes SolidWorks Corp.](http://www.solidworks.com), a [Dassault Systèmes](http://www.dassault-systemes.com) S.A. subsidiary, is a world leader in 3D solutions that help millions of engineers and designers succeed through innovation. Our products deliver an intuitive experience in product design, simulation, publishing, data management, and environmental impact assessment. For the latest news, information, or an online demonstration, visit our Web site (www.solidworks.com) or call 1-800-693-9000 (outside of North America, call +1-978-371-5000).

SolidWorks is a registered trademark of DS SolidWorks Corp. Other brand and product names are trademarks of their respective owners.

(ENDS)

NCG CAM Solutions Ltd, Silverwood Lodge, Ely Road, Waterbeach, Cambridge, CB25 9NN, UK

Tel: +44 (0) 1223 863911 / +44 (0)1353 699840

Website: www.ncgcam.com / Email: estelle@ncgcam.com

Contact: Mrs Estelle Dunsmuir, Distribution & Marketing Manager